

| | | |
|-----------------------|------------------|-------------|
| PROJECT: | UNIT TAG: | QUANTITY: |
| REPRESENTATIVE: _____ | TYPE OF SERVICE: | DATE: _____ |
| ENGINEER: | SUBMITTED BY: | DATE: |
| CONTRACTOR: | APPROVED BY: | DATE: |
| | ORDER NO.: | DATE: |

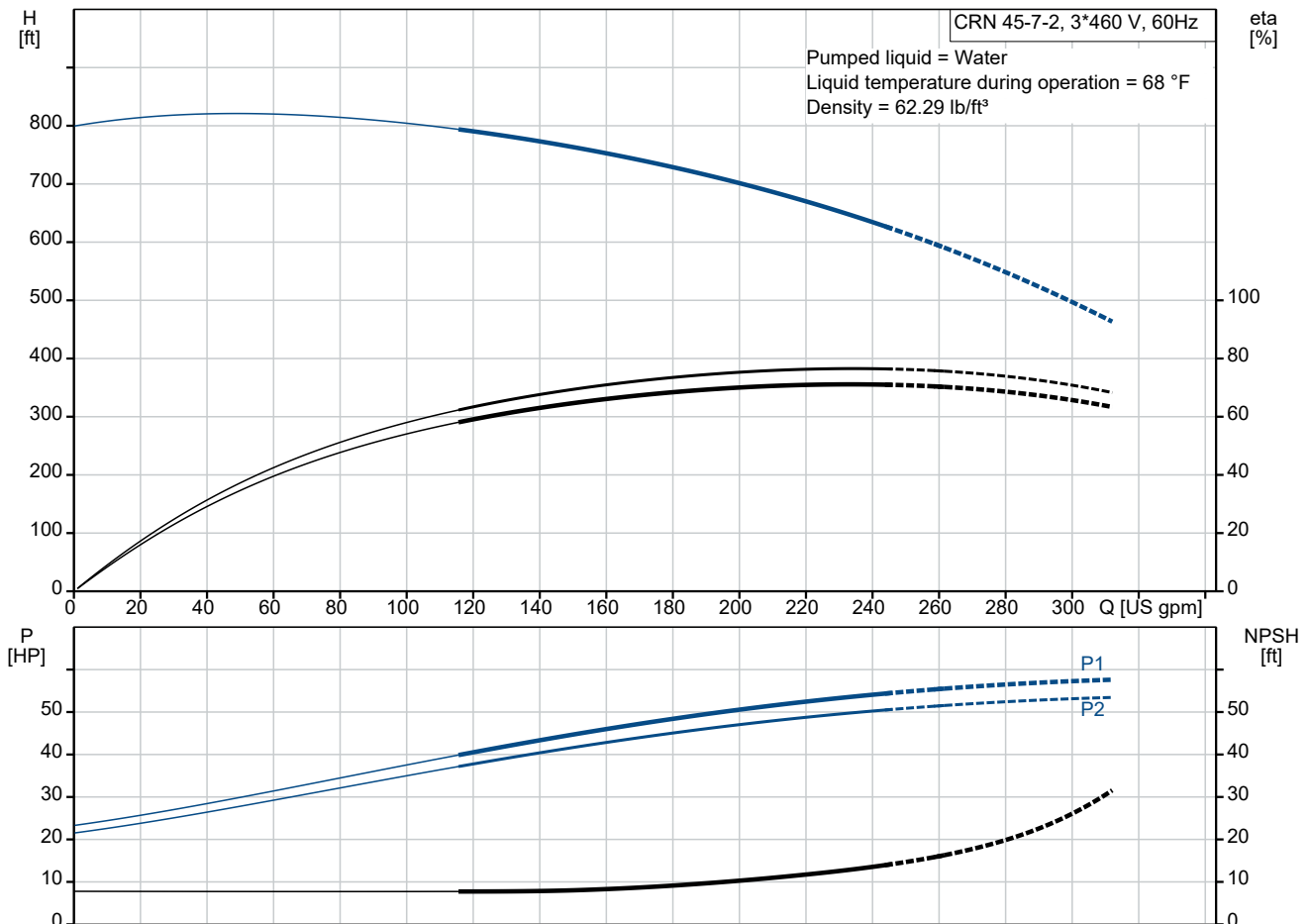


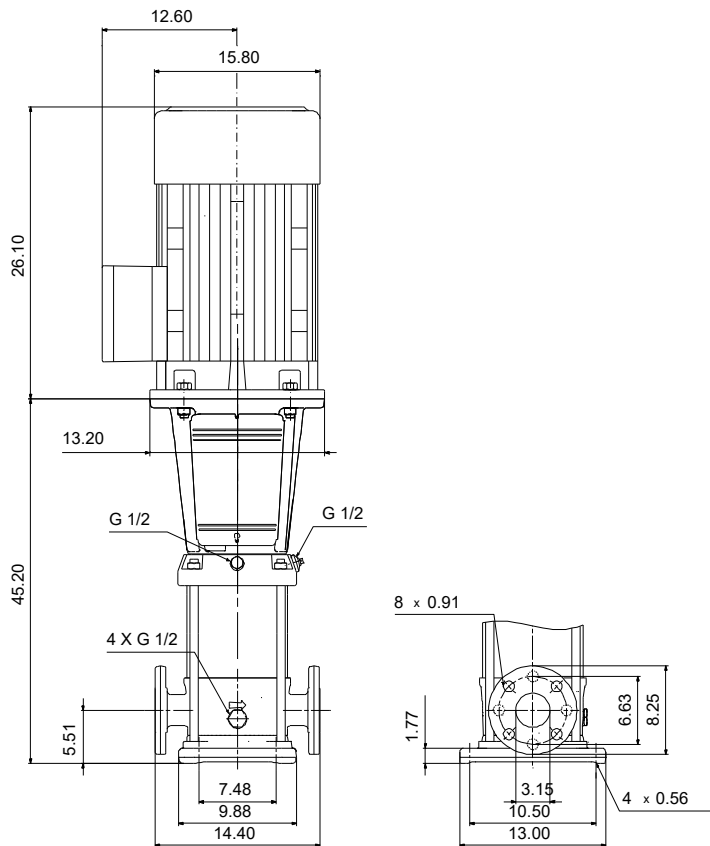
CRN 45-7-2 A-G-A-E-HQQE

Vertical, multistage centrifugal pump with suction and discharge ports on same the level. Pump materials in contact with the liquid are in high-grade stainless steel (EN 1.4401) (AISI 316)

Product photo could vary from the actual product

| Conditions of Service | Pump Data | Motor Data |
|-------------------------|--|------------------------------|
| Efficiency: _____ | Max pressure at stated temperature: 435 psi / 250 °F | Rated power - P2: 50 HP |
| Liquid: Water | Liquid temperature range: -40 .. 248 °F | Rated voltage: 208-230/460 V |
| Temperature: 68 °F | Maximum ambient temperature: 104 °F | Main frequency: 60 Hz |
| NPSH required: ft | Shaft seal: HQQE | Enclosure class: IP55 |
| Specific Gravity: 1.000 | Product number: 99918219 | Insulation class: F |
| | | Motor protection: NONE |
| | | Motor type: WEG |
| | | Eff. 1/1: 93 % |

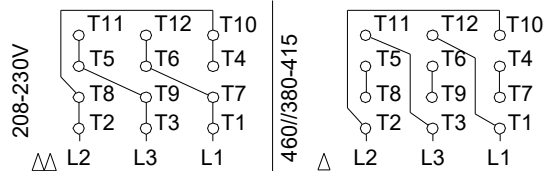
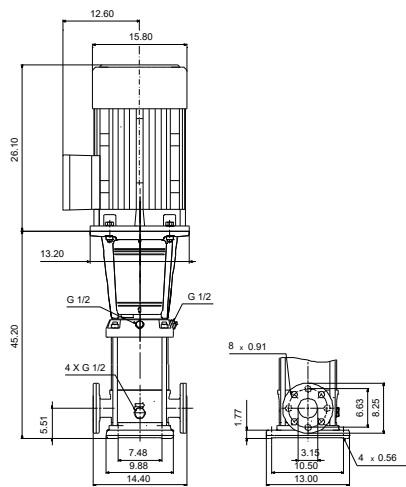
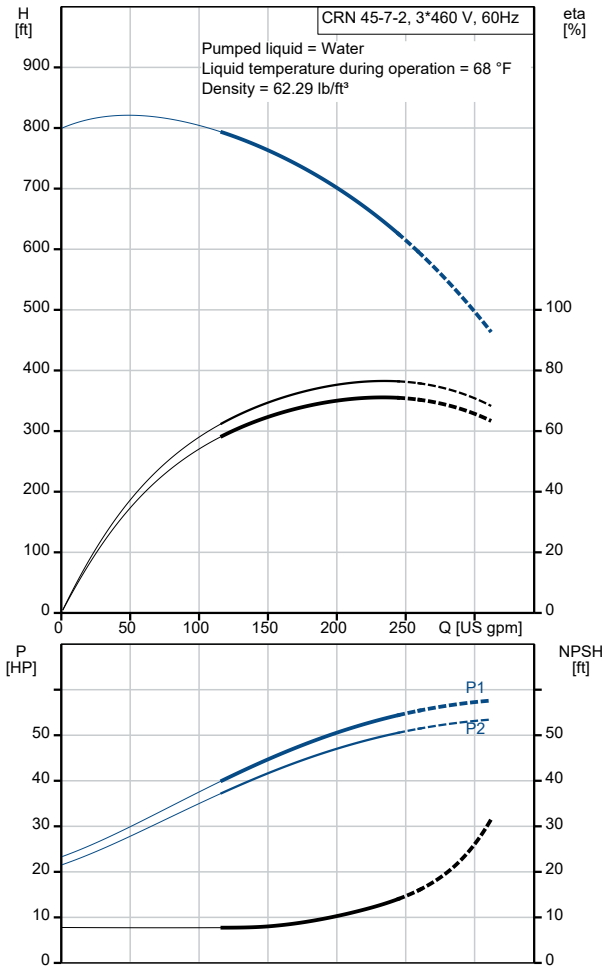




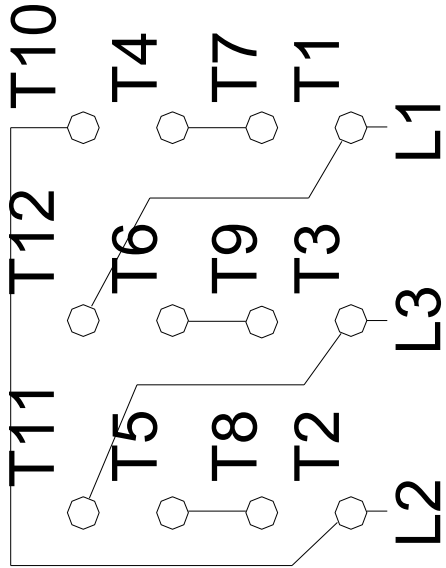
Materials:

Base: Stainless steel
 Base: EN 1.4408
 Base: AISI 316
 Impeller: Stainless steel
 Impeller: AISI 316
 Impeller: EN 1.4401
 Material code: A
 Code for rubber: E

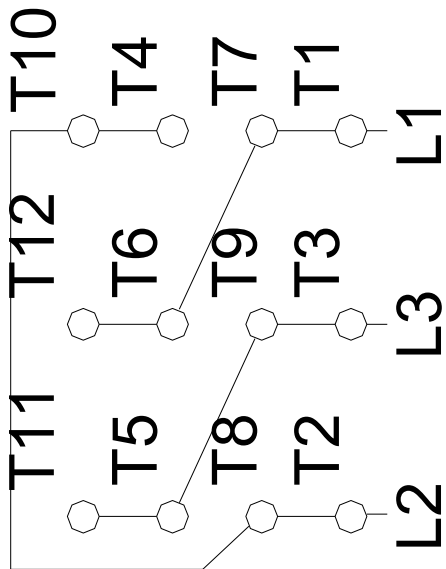
| Description | Value |
|---------------------------------------|--------------------------|
| General information: | |
| Product name: | CRN 45-7-2 A-G-A-E-HQQE |
| Product No.: | 99918219 |
| EAN: | 5715114130813 |
| Technical: | |
| Rated pump speed: | 3550 rpm |
| Rated flow: | 238 US gpm |
| Rated head: | 649.6 ft |
| Maximum head: | 797 ft |
| Actual impeller diameter: | 5.34 in |
| Stages: | 7 |
| Impellers: | 7 |
| Number of reduced-diameter impellers: | 2 |
| Low NPSH: | N |
| Pump orientation: | Vertical |
| Shaft seal arrangement: | Single |
| Code for shaft seal: | HQQE |
| Approvals: | CURUS |
| Approvals for drinking water: | NSF/ANSI 61 |
| Curve tolerance: | ISO9906:2012 3B |
| Pump version: | A |
| Model: | B |
| Cooling: | IC 411 |
| Materials: | |
| Base: | Stainless steel |
| Base: | EN 1.4408 |
| Base: | AISI 316 |
| Impeller: | Stainless steel |
| Impeller: | EN 1.4401 |
| Impeller: | AISI 316 |
| Material code: | A |
| Code for rubber: | E |
| Bearing: | SIC |
| Support bearing: | Graflon |
| Installation: | |
| t max amb: | 104 °F |
| Maximum operating pressure: | 435.11 psi |
| Max pressure at stated temperature: | 435 psi / 250 °F |
| Max pressure at stated temperature: | 435 psi / -40 °F |
| Type of connection: | ANSI |
| Size of suction port: | 3 inch |
| Size of outlet port: | 3 inch |
| Pressure rating for connection: | PN 40 |
| Flange rating inlet: | 300 lb |
| Flange size for motor: | 324TC |
| Connect code: | G |
| Liquid: | |
| Pumped liquid: | Water |
| Liquid temperature range: | -40 .. 248 °F |
| Selected liquid temperature: | 68 °F |
| Density: | 62.29 lb/ft ³ |
| Electrical data: | |
| Motor standard: | NEMA |
| Motor type: | WEG |
| IE Efficiency class: | IE3 / NEMA Premium |
| Rated power - P2: | 50 HP |
| Power (P2) required by pump: | 50 HP |
| Main frequency: | 60 Hz |
| Rated voltage: | 3 x 208-230/460 V |
| Service factor: | 1.25 |
| Rated current: | 124-112/56,1 A |
| Starting current: | 620-620 % |



| Description | Value |
|--------------------------------|----------------------|
| Full load SF current: | 140/70.1 A |
| Cos phi - power factor: | 0.89 |
| Rated speed: | 3550 rpm |
| IE efficiency: | IE3 93% |
| Motor efficiency at full load: | 93 % |
| Motor efficiency at 3/4 load: | 93 % |
| Motor efficiency at 1/2 load: | 93 % |
| Number of poles: | 2 |
| Enclosure class (IEC 34-5): | IP55 |
| Insulation class (IEC 85): | F |
| Built-in motor protection: | NONE |
| Motor Number: | 99883252 |
| Controls: | |
| Frequency converter: | NONE |
| Others: | |
| DOE Pump Energy Index CL: | 0.89 |
| Net weight: | 791 lb |
| Gross weight: | 809 lb |
| Shipping volume: | 39.9 ft ³ |
| Country of origin: | US |
| Custom tariff no.: | 8413.70.2040 |



460//380-415



208-230V

All units are [in] unless otherwise presented.