

| | | |
|-----------------------|------------------------|-----------------|
| PROJECT: _____ | UNIT TAG: _____ | QUANTITY: _____ |
| REPRESENTATIVE: _____ | TYPE OF SERVICE: _____ | DATE: _____ |
| ENGINEER: _____ | SUBMITTED BY: _____ | DATE: _____ |
| CONTRACTOR: _____ | APPROVED BY: _____ | DATE: _____ |
| | ORDER NO.: _____ | DATE: _____ |

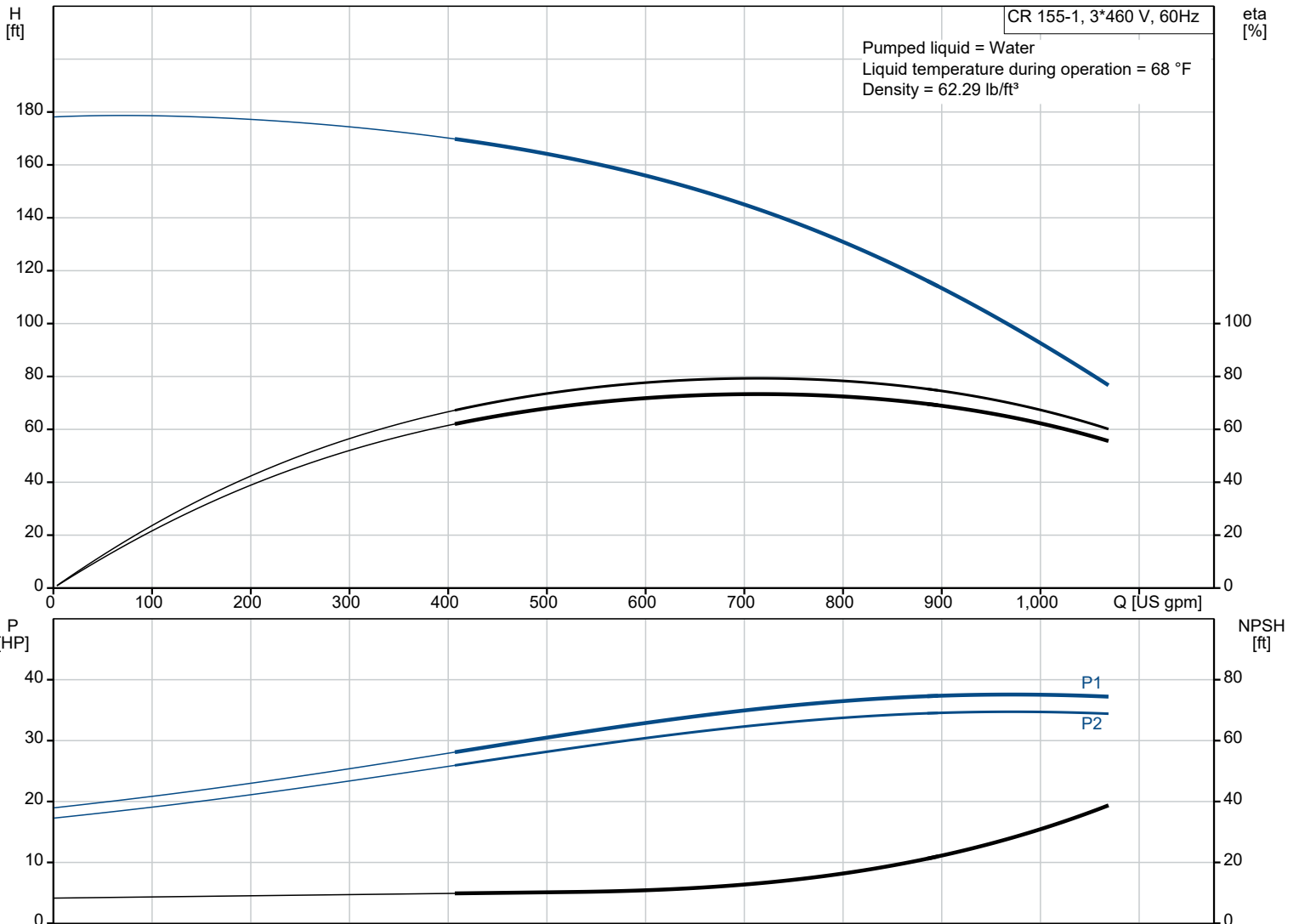


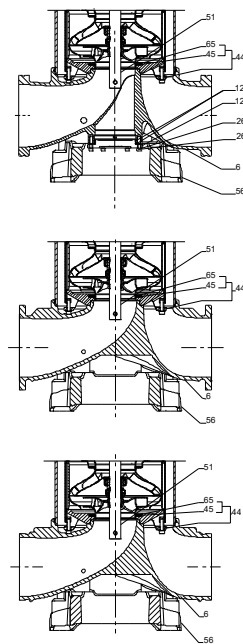
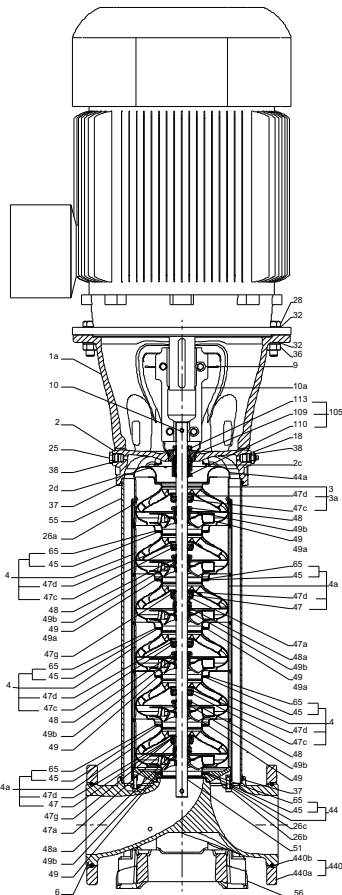
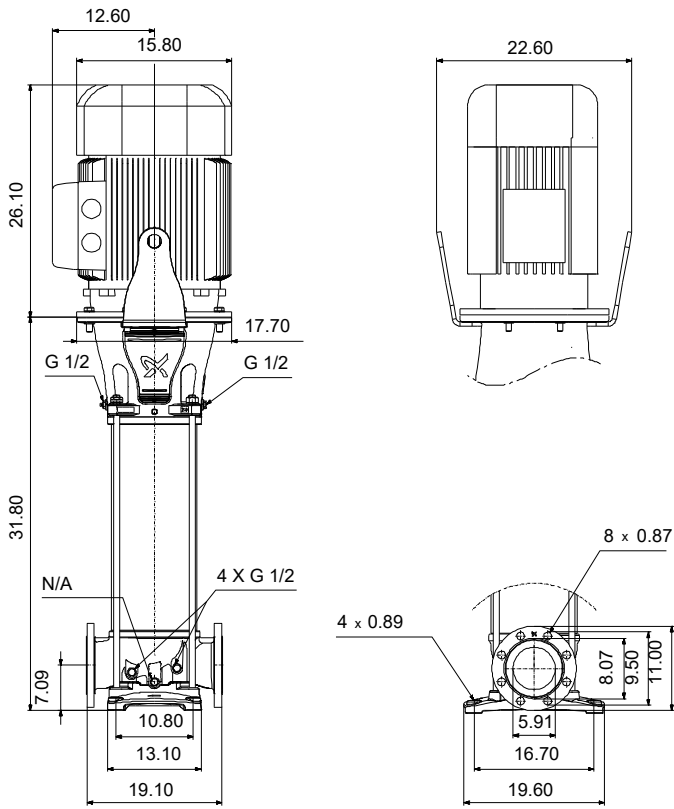
CR 155-1 A-G-A-E-HQQE

Vertical, multistage centrifugal pump with suction and discharge ports on the same level. The pump head and base are in cast iron - all other wetted parts are in stainless steel (EN 1.4301)

Product photo could vary from the actual product

| Conditions of Service | | Pump Data | | Motor Data | |
|-----------------------|-------|------------------------------|--------------|-------------------|---------------|
| Liquid: | Water | Liquid temperature range: | -4 .. 248 °F | Rated power - P2: | 40 HP |
| Temperature: | 68 °F | Maximum ambient temperature: | 104 °F | Rated voltage: | 208-230/460 V |
| Specific Gravity: | 1.000 | Shaft seal: | HQQE | Main frequency: | 60 Hz |
| | | Product number: | 99918568 | Enclosure class: | IP55 |
| | | | | Insulation class: | F |
| | | | | Motor protection: | NONE |
| | | | | Motor type: | WEG |
| | | | | Eff. 1/1: | 92.4 % |

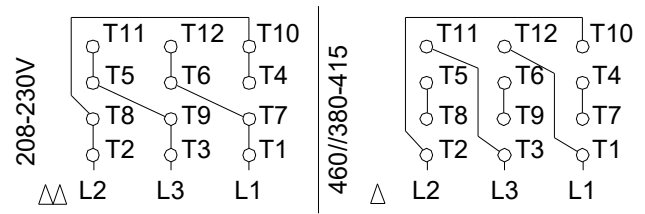
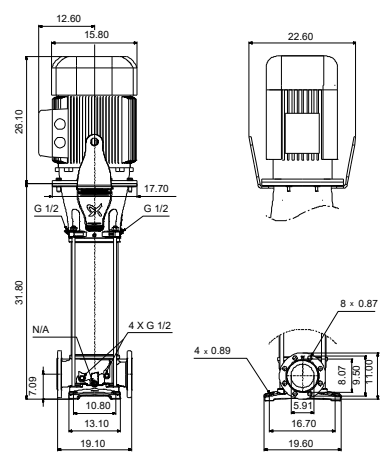
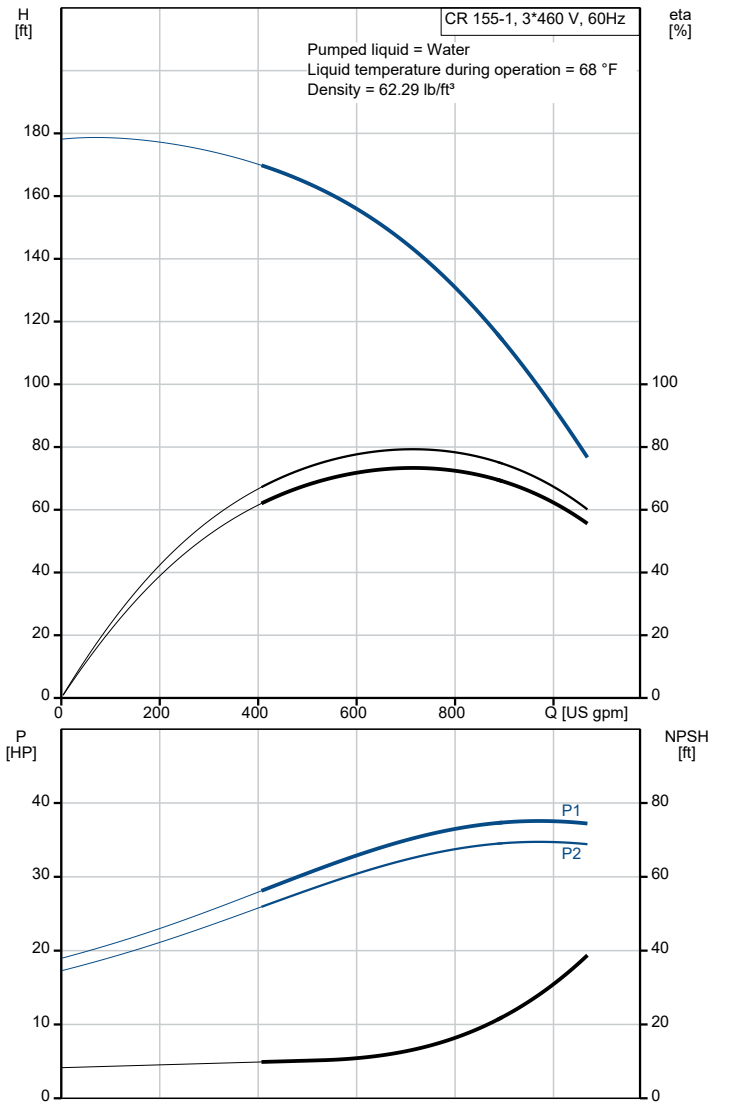




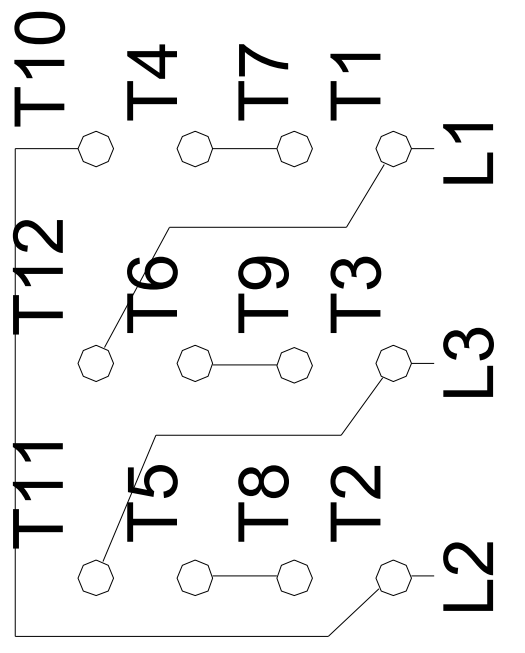
Materials:

- Base: Ductile cast iron
- Base: EN 1563 EN-GJS-500-7
- Base: ASTM A536-84 65-45-12
- Impeller: Stainless steel
- Impeller: AISI 304
- Impeller: EN 1.4301
- Material code: A
- Code for rubber: E

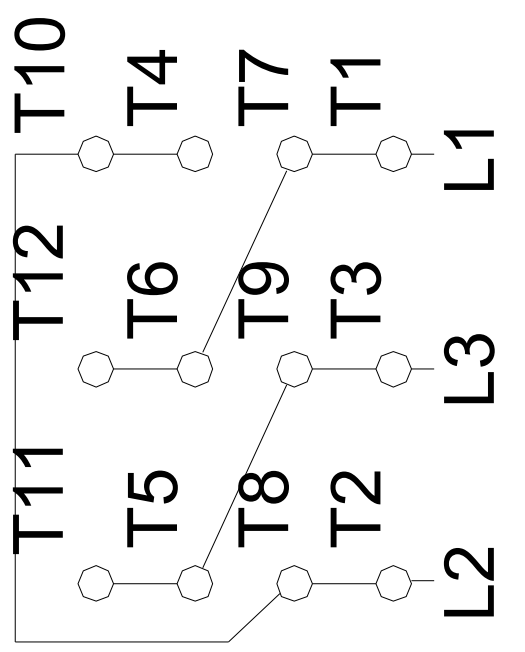
| Description | Value |
|---------------------------------------|---------------------------|
| General information: | |
| Product name: | CR 155-1 A-G-A-E-HQQE |
| Product No.: | 99918568 |
| EAN: | 5715114134446 |
| Price: | |
| Technical: | |
| Rated pump speed: | 3550 rpm |
| Rated flow: | 820 US gpm |
| Rated head: | 127.3 ft |
| Maximum head: | 180.8 ft |
| Actual impeller diameter: | 6.64 in |
| Stages: | 1 |
| Impellers: | 1 |
| Number of reduced-diameter impellers: | 0 |
| Low NPSH: | N |
| Pump orientation: | Vertical |
| Shaft seal arrangement: | Single |
| Code for shaft seal: | HQQE |
| Approvals for drinking water: | NSF/ANSI 61, NSF/ANSI 372 |
| Curve tolerance: | ISO9906:2012 3B |
| Pump version: | A |
| Model: | A |
| Cooling: | IC 411 |
| Materials: | |
| Base: | Ductile cast iron |
| Base: | EN 1563 EN-GJS-500-7 |
| Base: | ASTM A536-84 65-45-12 |
| Impeller: | Stainless steel |
| Impeller: | EN 1.4301 |
| Impeller: | AISI 304 |
| Material code: | A |
| Code for rubber: | E |
| Bearing: | WC/WC |
| Support bearing: | Graflon |
| Material certified according to: | European standards |
| Installation: | |
| t max amb: | 104 °F |
| Maximum operating pressure: | 232.06 psi |
| Max pressure at stated temperature: | 232 psi / 250 °F |
| Type of connection: | ANSI |
| Size of suction port: | 6 inch |
| Size of outlet port: | 6 inch |
| Pressure rating for connection: | 150 lb |
| Flange size for motor: | 324TSC |
| Connect code: | G |
| Liquid: | |
| Pumped liquid: | Water |
| Liquid temperature range: | -4 .. 248 °F |
| Selected liquid temperature: | 68 °F |
| Density: | 62.29 lb/ft³ |
| Electrical data: | |
| Motor standard: | NEMA |
| Motor type: | WEG |
| IE Efficiency class: | IE3 / NEMA Premium |
| Rated power - P2: | 40 HP |
| Power (P2) required by pump: | 40 HP |
| Main frequency: | 60 Hz |
| Rated voltage: | 3 x 208-230/460 V |
| Service factor: | 1.25 |
| Rated current: | 101-92,6/46,3 A |
| Starting current: | 630-630 % |
| Full load SF current: | 116/57.9 A |
| Cos phi - power factor: | 0.88 |
| Rated speed: | 3560 rpm |
| IE efficiency: | IE3 92,4% |
| Motor efficiency at full load: | 92.4 % |
| Motor efficiency at 3/4 load: | 92.4 % |
| Motor efficiency at 1/2 load: | 91.7 % |
| Number of poles: | 2 |
| Enclosure class (IEC 34-5): | IP55 |
| Insulation class (IEC 85): | F |



| Description | Value |
|----------------------------|----------------------|
| Built-in motor protection: | NONE |
| Motor Number: | 99883251 |
| Controls: | |
| Frequency converter: | NONE |
| Others: | |
| DOE Pump Energy Index CL: | 0.93 |
| Net weight: | 895 lb |
| Gross weight: | 1210 lb |
| Shipping volume: | 71.9 ft ³ |
| Thrust handling device: | N |



460//380-415



208-230V